

Service
Service
Service



Service Manual



TABLE OF CONTENTS

Handling Chip Components and Safety1 - 1

Technical Specification & Service tools2 - 1

Service Measurement.....2 - 2

Connections and controls3 - 1..3 - 3

Instructions for use3 - 4..3 - 5

Disassembly Diagram.....4 - 1

Block Diagram5 - 1

Wiring Diagram6 - 1

Tuner Board

 Circuit diagram7 - 1

 Layout diagram7 - 2

Main Board

 Circuit diagram

 CPU part8 - 1

 CD part8 - 2

 Vol-Power part.....8 - 3

 LCD/DC-Power part.....8 - 4

 Layout diagram8 - 5..8 - 8

Exploded view - cabinet.....9 - 1

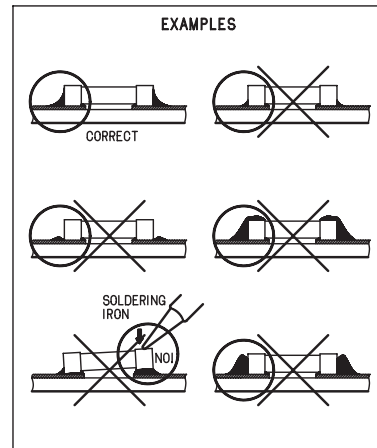
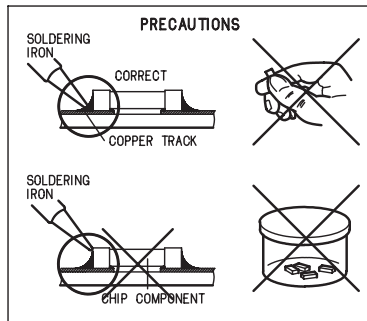
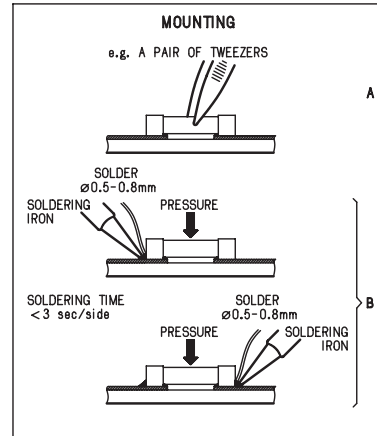
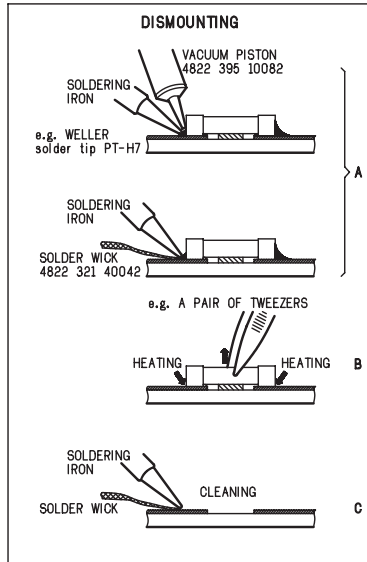
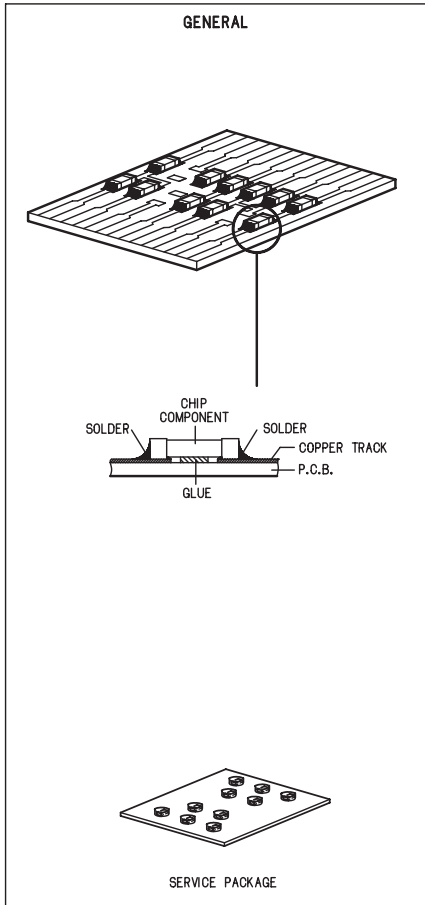
Mechanical partslist9 - 1

Electrical partslist10 - 1..10 - 2

© Copyright 2001 Philips Consumer Electronics B.V. Eindhoven, The Netherlands
 All rights reserved. No part of this publication may be reproduced, stored in a retrieval system or transmitted, in any form or by any means, electronic, mechanical, photocopying, or otherwise without the prior permission of Philips.



HANDLING CHIP COMPONENTS



(GB) WARNING

All ICs and many other semiconductors are susceptible to electrostatic discharges (ESD). Careless handling during repair can reduce life drastically. When repairing, make sure that you are connected with the same potential as the mass of the set via a wristband with resistance. Keep components and tools at this potential.

ESD



(NL) WAARSCHUWING

Alle IC's en vele andere halfgeleiders zijn gevoelig voor electrostatische ontladingen (ESD). Onzorgvuldig behandelen tijdens reparatie kan de levensduur drastisch doen verminderen. Zorg ervoor dat u tijdens reparatie via een polsband met weerstand verbonden bent met hetzelfde potentiaal als de massa van het apparaat. Houd componenten en hulpmiddelen ook op ditzelfde potentiaal.

(F) ATTENTION

Tous les IC et beaucoup d'autres semi-conducteurs sont sensibles aux décharges statiques (ESD). Leur longévité pourrait être considérablement écourtée par le fait qu'aucune précaution n'est prise à leur manipulation. Lors de réparations, s'assurer de bien être relié au même potentiel que la masse de l'appareil et enfilez le bracelet sert d'une résistance de sécurité. Veiller à ce que les composants ainsi que les outils que l'on utilise soient également à ce potentiel.

(D) WARNUNG

Alle ICs und viele andere Halbleiter sind empfindlich gegenüber elektrostatischen Entladungen (ESD). Unsorgfältige Behandlung im Reparaturfall kann die Lebensdauer drastisch reduzieren. Sorgen Sie dafür, daß Sie im Reparaturfall über ein Pulsarmband mit Widerstand mit dem Massepotential des Gerätes verbunden sind. Halten Sie Bauteile und Hilfsmittel ebenfalls auf diesem Potential.

(I) AVVERTIMENTO

Tutti IC e parecchi semi-conduttori sono sensibili alle scariche statiche (ESD). La loro longevità potrebbe essere fortemente ridatta in caso di non osservazione della più grande cauzione alla loro manipolazione. Durante le riparazioni occorre quindi essere collegato allo stesso potenziale che quello della massa dell'apparecchio tramite un braccialeto a resistenza. Assicurarsi che i componenti e anche gli utensili con quali si lavora siano anche a questo potenziale.

(GB)

Safety regulations require that the set be restored to its original condition and that parts which are identical with those specified be used. Safety components are marked by the symbol

(F)

Les normes de sécurité exigent que l'appareil soit remis à l'état d'origine et que soient utilisées les pièces de rechange identiques à celles spécifiées. Les composants de sécurité sont marqués

SAFETY



(D)

Bei jeder Reparatur sind die geltenden Sicherheitsvorschriften zu beachten. Der Originalzustand des Gerätes darf nicht verändert werden. Für Reparaturen sind Originalersatzteile zu verwenden. Sicherheitsbauteile sind durch das Symbol markiert.

(NL)

Veiligheidsbepalingen vereisen, dat het apparaat in zijn oorspronkelijke toestand wordt teruggebracht en dat onderdelen, identiek aan de gespecificeerde, worden toegepast. De Veiligheidsonderdelen zijn aangeduid met het symbool

(I)

Le norme di sicurezza estigono che l'apparecchio venga rimesso nelle condizioni originali e che siano utilizzati i pezzi di ricambio identici a quelli specificati. Componenti di sicurezza sono marcati con

(GB)

DANGER: Invisible laser radiation when open. AVOID DIRECT EXPOSURE TO BEAM.

(S) Varning!

Osynlig laserstrålning när apparaten är öppnad och spärren är urkopplad. Betrakta ej strålen.

(DK) Advarsel!

Usynlig laserstrålning ved åbning når sikkerhedsafbrydere er ude af funktion. Undgå udsættelse for stråling.



(GB)

After servicing and before returning the set to customer perform a leakage current measurement test from all exposed metal parts to earth ground, to assure no shock hazard exists. The leakage current must not exceed 0.5mA.

(F)

"Pour votre sécurité, ces documents doivent être utilisés par des spécialistes agréés, seuls habilités à réparer votre appareil en panne".

(FIN) Varoitus!

Avatussa laitteessa ja suojalukituksen ohitettaessa olet alttiina näkyvämmälle laserisäteilylle. Älä katso säteeseen!

TECHNICAL SPECIFICATIONS

GENERAL

Mains voltage	-/00 : 230 V
	-/05 : 230-240 V
	-/17 : 120 V
Mains frequency	-/00/05 : 50 Hz
	-/17 : 60 Hz
Power consumption	: < 2 W typ.

AMPLIFIER

Output power	mains : 2 x 1 W
Residual noise	: 60nW (volume minimum)
Channel difference	: 3dB typ. at 500mW

TUNER - FM SECTION

Tuning range	: 87.5 - 108 MHz
IF frequency	: 10.7 MHz
Sensitivity	: < 14dB μ V at 26dB
Selectivity(stereo)	: > 43.5dB μ V at 46dB
IF rejection 90MHz	: > 50 dB
Image rejection 106MHz	: > 20 dB
S/N ratio (A-Weighted)	: > 45 dB
(input:5mV,75kHz dev)	
Overall distortion	: 7 %
(40 μ V 75kHz 4mV i/p)	

TUNER - MW SECTION

Tuning range	-/00/05 : 531 - 1602 kHz
	-/17 : 530 - 1700 kHz
IF frequency	: 450 kHz
Sensitivity	: < 72dB μ V/m at 26dB
Selectivity S9	: > 16 dB
IF rejection	: > 24 dB
Image rejection	: > 28 dB

COMPACT DISC

SNR unwttd.	: > 50 dB
Channel difference	: < 3 dB
Crosstalk	1 kHz : > 30 dB
Crosstalk	10 kHz : > 30 dB
Frequency response	: 0dB typ. at 125Hz
Frequency response	: \pm 3dB at 10kHz
THD (1kHz,0dB)	: 0.2% typ.
THD (10kHz,0dB)	: < 3%
Shock resistance	\pm Z axis : > 2 g
	\pm X or \pm Y axis : > 3 g
Hum & noise	: < 1.4 (Vol.max.-20dB)

SERVICE TOOLS

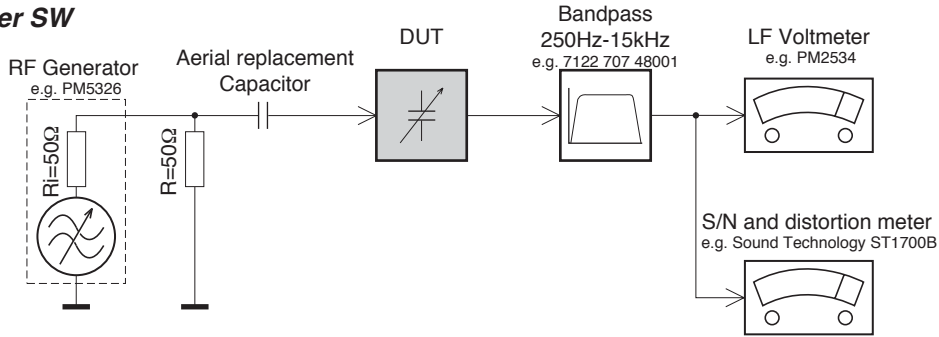
Audio signal disc SBC 429.....	4822 397 30184
Playability test disc SBC 444.....	4822 397 30245
Test disc 5 (disc without errors) +	
Test disc 5A (disc with dropout errors, black spots and fingerprints)	
SBC 426/426A.....	4822 397 30096
Burn in test disc (65 min. 1kHz signal at -30 dB level without "pause").....	4822 397 30155

AVAILABLE ESD PROTECTION EQUIPMENT

anti-static table mat large 1200x650x1.25mm	4822 466 10953
small 600x650x1.25m	4822 466 10958
anti-static wristband	4822 395 10223
connection box (3 press stud connections, 1M Ω)	4822 320 11307
extendible cable (2m, 2M Ω , to connect wristband to connection box)	4822 320 11305
connecting cable (3m, 2M Ω , to connect table mat to connection box)	4822 320 11306
earth cable (1M Ω , to connect any product to mat or to connection box)	4822 320 11308
KIT ESD3 (combining all 6 prior products - small table mat)	4822 310 10671
wristband tester	4822 344 13999

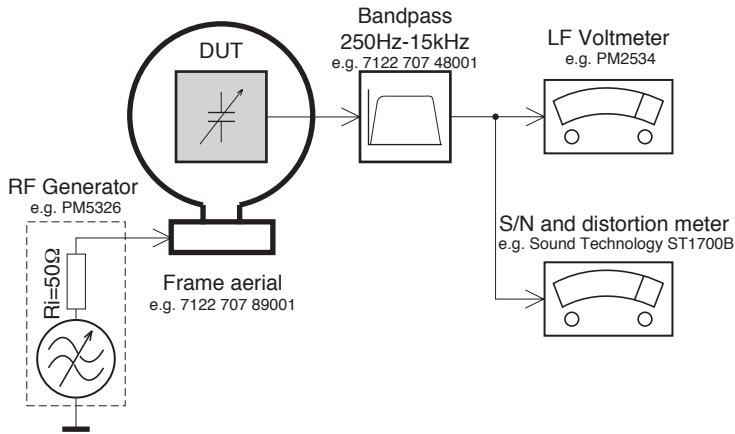
SERVICE MEASUREMENT

Tuner SW



To avoid atmospheric interference all AM-measurements have to be carried out in a Faraday's cage. Use a bandpass filter (or at least a high pass filter with 250Hz) to eliminate hum (50Hz, 100Hz).

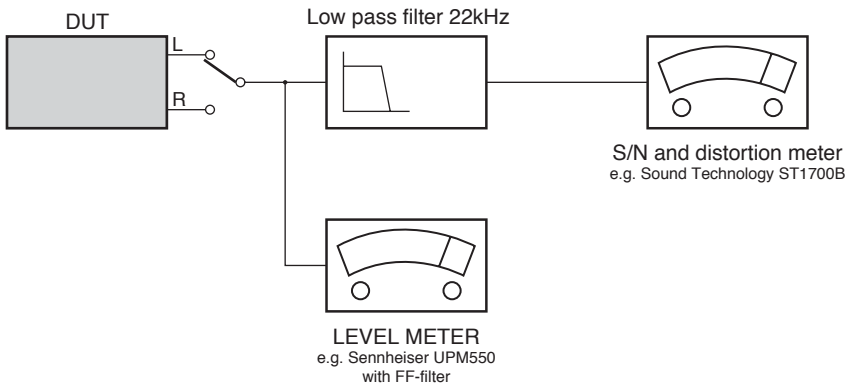
Tuner AM (MW,LW)



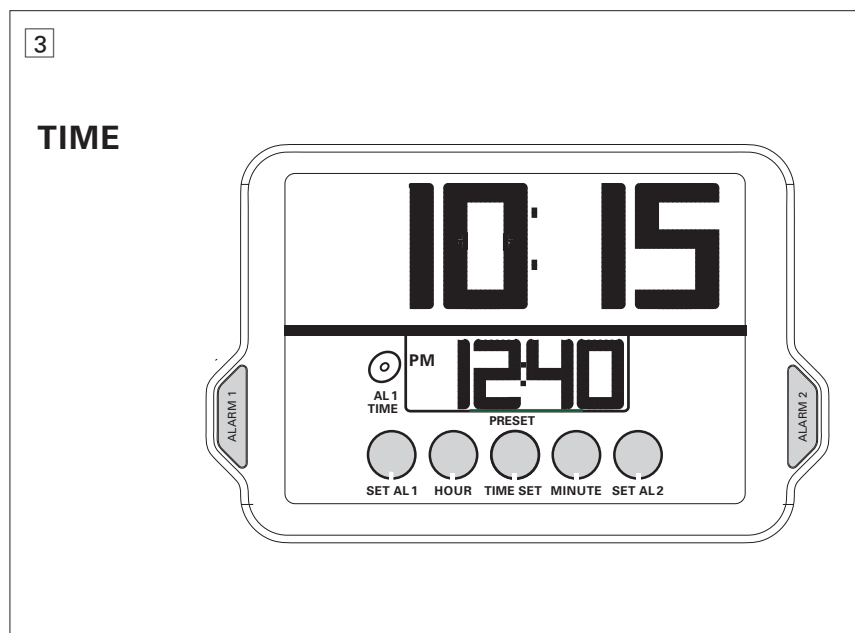
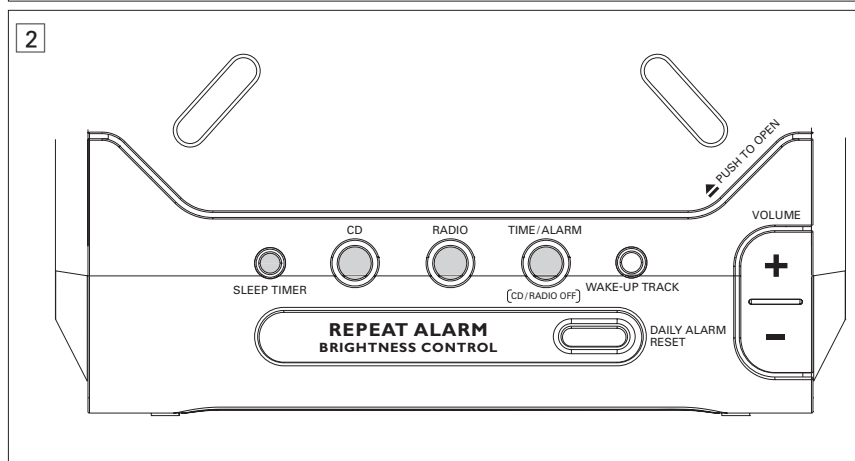
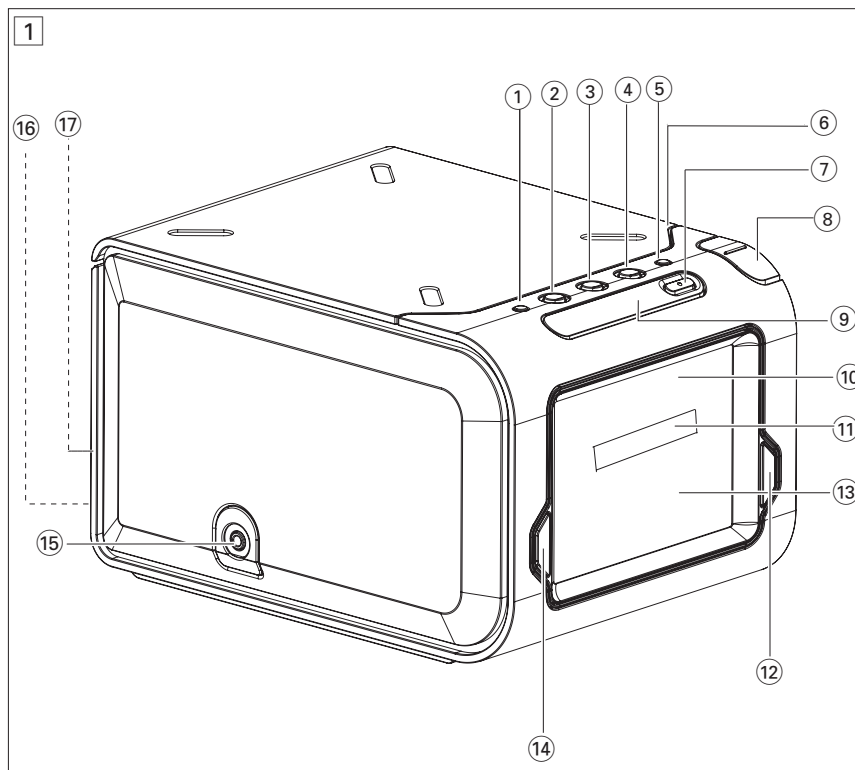
To avoid atmospheric interference all AM-measurements have to be carried out in a Faraday's cage.

CD

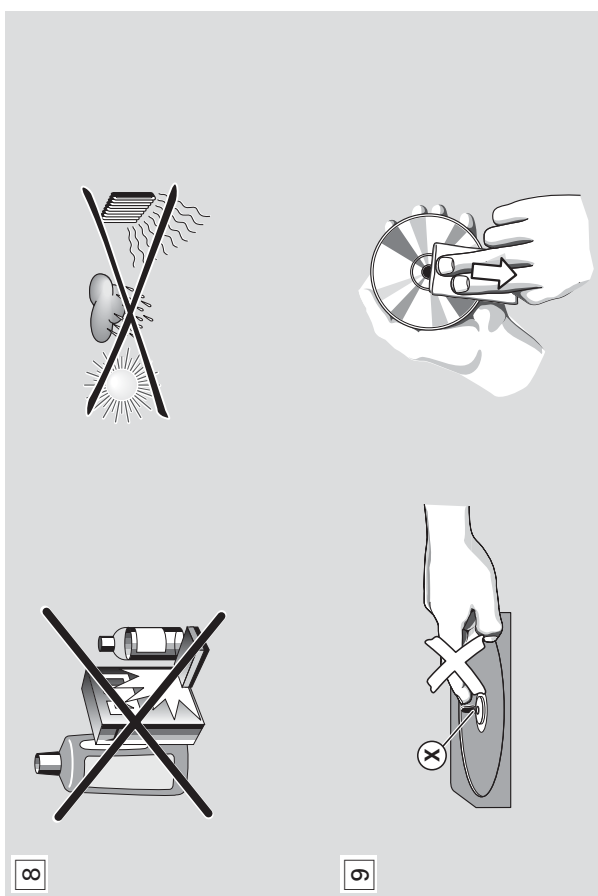
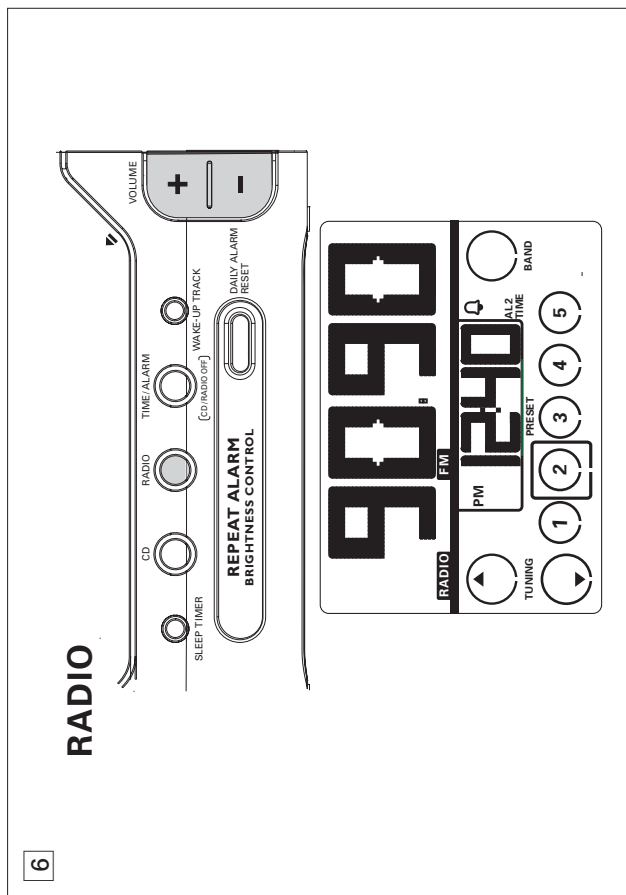
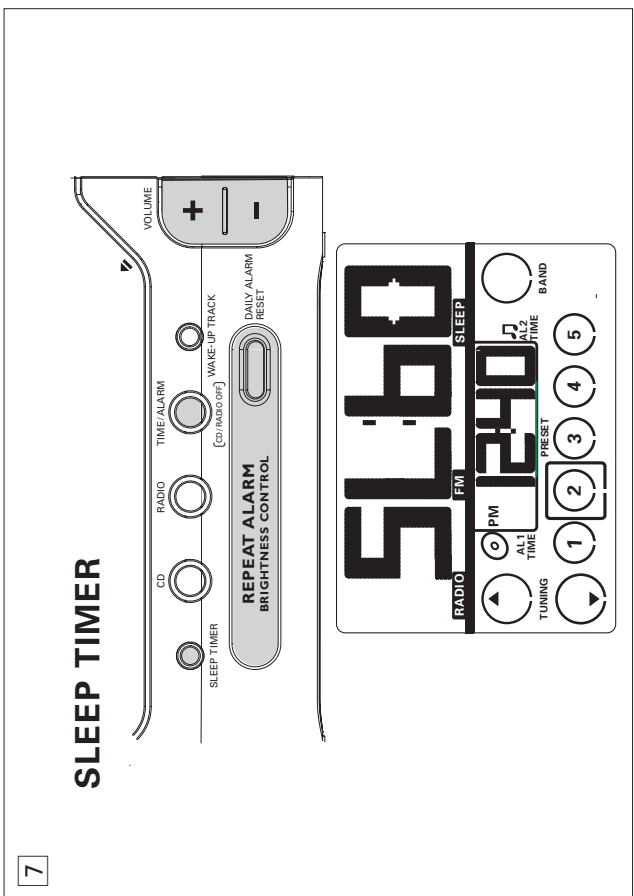
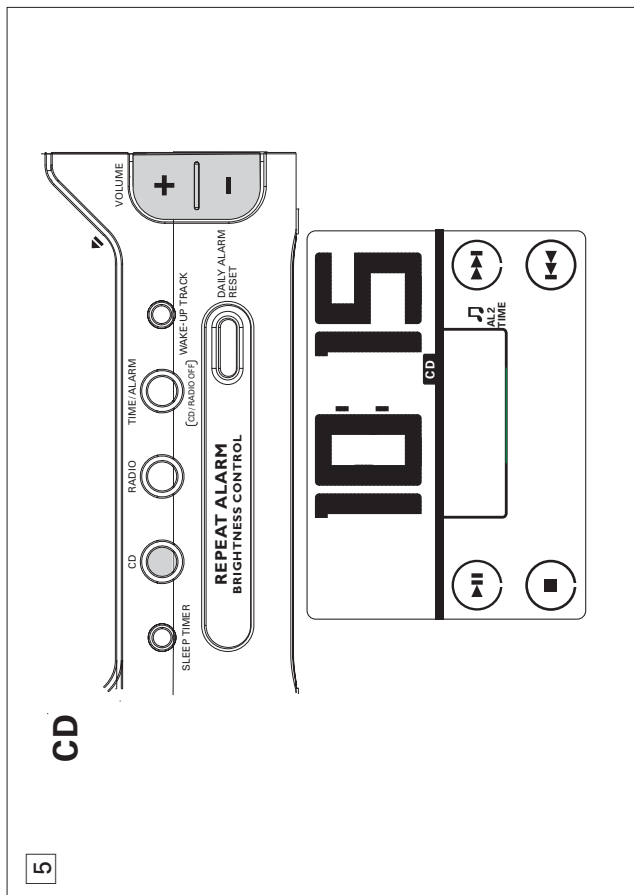
Use Audio Signal Disc SBC429 4822 397 30184 (replaces test disc 3)
L.P.F. = 13th order filter 4822 395 30204



CONNECTIONS AND CONTROLS



CONNECTIONS AND CONTROLS



CONNECTIONS AND CONTROLS

English

CONTROLS (see figure 1)

- 1 **SLEEP TIMER** - adjusts timer options for CD / radio - switches CD / radio on.
- 2 **CD** - starts CD playback
- 3 **RADIO** - switches on radio
- 4 **TIME / ALARM** (CD/RADIO OFF)
 - switches off CD / radio
 - selects clock display
- 5 **WAKE-UP TRACK** - programs your favorite CD track for wake-up track alarm.
- 6 **PUSH TO OPEN** - push this cover to open CD door
- 7 **DAILY ALARM RESET** - stops the active alarm for 24 hours
- 8 +/- - **VOLUME** - adjusts the volume
- 9 **REPEAT ALARM/BRIGHTNESS CONTROL**
 - switches off the alarm for a 9 minute period
 - switches off timer function
 - changes the brightness of the display window
- 10 **Main display**
 - shows clock time and function status
 - shows radio frequency and CD track number briefly when respective function is in use
- 11 **Alarm time display** - shows the alarm time and the chosen alarm activated:
 - CD ☉ (AL 1 TIME), radio 🎵 / buzzer 🔔
- 12 **ALARM 2**
 - selects radio 🎵 / buzzer 🔔 alarm
 - switches radio / buzzer alarm on/off
- 13 **Touch Screen Controls**

Clock controls shown in standby mode. The radio / CD controls appear when the radio / CD is switched on.
- SET AL 1** - sets CD alarm time
- HOURLY** - adjusts hour setting
- TIME SET** - sets clock time
- MINUTE** - adjusts minute setting
- SET AL 2** - sets radio / buzzer alarm

CD:

- ⏮ - starts / pauses CD playback
- ⏪ - stops CD playback
- ⏩ - skips to the next / previous CD tracks - fast search within a track

Radio:

- TUNING** 🔄 / ⏴ (up / down)
 - tunes to radio stations automatically / manually
- PRESET** ① - ⑤ - to select / store a radio preset station
- BAND** 📶 - selects waveband (FM/AM).
- 14 **ALARM 1**
 - selects CD ☉ alarm
 - switches CD alarm on / off
- 15 📶 - 3.5 mm jack for headphones
- 16 **Coil antenna** - improves FM reception
- 17 **Power cord**

INSTALLATION (see figure 2)

AC Power Supply

1. Check if the power voltage, shown on the **type plate on the bottom of the set**, corresponds to your power supply. If it does not, consult your dealer or service center.

2. Connect the plug to the wall outlet.

...PH...IL...IPS scrolls across the display continuously.

- To exit the demo mode, press any button on the set.

Eg. TIME / ALARM (CD RADIO OFF)

SLEEP TIMER

RADIO

CD

3. To disconnect the set completely from the power supply, withdraw the plug from the wall outlet.

Standby power consumption (clock mode)...1.5W

The serial and production number are located on the bottom of the set.

SETTING THE CLOCK AND ALARM TIMES

MEMORY BACKUP

The memory backup conveniently allows your clock, alarm and radio presets to be stored for up to 3 minutes when there is a power interruption e.g. AC power failure. The complete CD clock radio and display will be switched off. As soon as the power supply returns, the display will indicate the correct time.

- If power supply returns after 3 minutes, you will need to re-enter the clock and alarm time settings.

CONNECTING HEADPHONES

Connect headphones with a 3.5 mm plug into the 📶 jack. → The built-in speaker will now be muted on the set.

DISPLAY BRIGHTNESS

In the dim / medium setting, the backlight is interactive and gently fades in and out whenever you press a touch screen control.

There are 3 settings: **bright** → **medium** → **dim**

- Press **REPEAT ALARM/BRIGHTNESS CONTROL** once or more.

SETTING THE CLOCK TIME (see figure 3)

The time is displayed using the 12 hour clock where the **PM** indicator lights up (on = **PM**, off = **AM**).

1. In the standby mode, press **TIME SET** to activate the clock setting mode.

→ The current clock time in the main display flashes.

2. Press **HOUR / MINUTE** to adjust the hours and minutes respectively.

- With your finger held down on **HOUR / MINUTE**, the display will increase the hours / minutes rapidly and continuously.

- Press **HOUR / MINUTE** briefly and repeatedly to adjust the time slowly.

3. Press **TIME SET** again when you have reached the correct time.

→ You will hear a double beep to confirm the time setting.

SETTING THE ALARM (see figure 3)

GENERAL

Two different alarm times, **ALARM 1** and **ALARM 2** can be set in the CD ☉ / radio 🎵 / buzzer 🔔 modes.

This can be useful when for example you need to be woken up at a different time during the week and at the weekend.

SETTING THE ALARM TIME

1. In the standby mode, press **ALARM 1 / ALARM 2** to select the alarm mode. Check the respective icon appears in the display: CD ☉ radio 🎵 / buzzer 🔔.

Either press briefly:

- **ALARM 1** once for CD alarm ☉. This enables CD playback from the first track as your alarm call.
- **ALARM 2** once or more for radio 🎵 / buzzer 🔔 alarm.

2. Press **SET AL 1** or **SET AL 2** to activate the alarm setting mode.

→ The current alarm time display flashes.

3. Press **HOUR / MINUTE** to adjust the hours and minutes respectively.

- With your finger held down on **HOUR / MINUTE**, the display will increase the hours / minutes rapidly and continuously.

- Press **HOUR / MINUTE** briefly and repeatedly to adjust the time slowly.

4. Press **SET AL 1** or **SET AL 2** again when you have reached the correct time.

→ You will hear a double beep to confirm the time setting.

Alarm time display

If you have set both alarms, the standby alarm time display will show the alarm time which is ready to go off first, according to the current clock time.

E.g. if current **clock time = 7:30**

AL 2 TIME 🎵 = 6:20

AL 1 TIME ☉ = 7:45,

the standby alarm display shows the alarm time, **7:45**.

GENTLE WAKE VOLUME

A sure way of getting up in the mornings, the **gentle wake** volume for the alarm begins from a fixed gentle volume (🎵) and gradually increases to a maximum higher setting of (🎵 5).

- The default low volume is 🎵 : 🎵 , and the maximum volume is 🎵 : 🎵 5.

- During the alarm call, if you press + / - **VOLUME**, the volume stops automatically getting louder.

INSTRUCTIONS FOR USE

ALARM

**Helpful Tip :**

- If you want the alarm to wake you up, **FIRST CHECK:**
- you have **disconnected the headphones.**
 - **radio alarm** : make sure you have tuned properly to a station.

SELECTING CD WAKE-UP ALARM MODE

You can program and select a CD track number between 1-99, when the set is in the standby or radio playback mode.

However, if the track number programmed does not exist on your CD, the CD will start playback from the first track during the alarm call.

1. Set the alarm time for **AL1 TIME**.
2. Insert a CD into the CD compartment.
3. Press **ALARM 1** to select CD alarm mode.
4. Press **WAKE-UP TRACK** to activate favorite track programming.
5. Press \leftarrow or \rightarrow until the desired track number is shown.
6. Press **WAKE-UP TRACK** to confirm the selected track number.

→ The display returns to standby clock time.

7. If you want to review your programmed track number, press **WAKE-UP TRACK**.

IMPORTANT!

The **buzzer alarm option** will automatically replace the CD alarm if you have:

- inserted a CD incorrectly;
- inserted a damaged CD;
- forgotten to insert any CD;
- not closed the CD door properly.

SWITCHING OFF THE ALARM (see figure 4)

There are three ways of switching off the alarm.

Unless you cancel the alarm completely, the **DAILY ALARM RESET** option will be automatically selected after 59 minutes, from the time your alarm time first sounds.

**Helpful Tip**

During an alarm call/ repeat alarm, only the **DAILY ALARM RESET, REPEAT ALARM/ BRIGHTNESS CONTROL and ALARM 1 or ALARM 2 and +/- VOLUME controls on the set will operate.**

CD / RADIO

**Helpful Tip :**

In the CD stop position, the **CD touch screen display remains active for 5 minutes.**

- Press \leftarrow or \rightarrow to start playback again if you have stopped briefly e.g. to change a CD.

- If CD playback is paused for more than 15 minutes and no controls are pressed, the set automatically goes to standby mode.

SELECTING A DIFFERENT TRACK DURING PLAYBACK

The track number appears briefly in the display when you press \leftarrow or \rightarrow to skip tracks.

- Press \leftarrow once or more to skip to the next track(s).
- Press \rightarrow more than once to skip to previous tracks
- Press \leftarrow once and playback will return to the beginning of the current track.

FINDING A PASSAGE WITHIN A TRACK

1. During playback, press and hold \leftarrow or \rightarrow → The CD is played at high speed and low volume; the display will show "L" and your current track number.

2. Release \leftarrow or \rightarrow when you recognize the passage you want. → Normal CD playback and standby clock time resumes.

RADIO RECEPTION (see figure 6)

1. Press the **RADIO** button to switch on the radio. → Radio touch screen controls appears throughout radio operation

→ The radio frequency and waveband appears in the display for 10 seconds before reverting back to the clock display.

2. Press the **BAND** button to select your waveband FM/AM.

3. Tune to your station **manually or automatically** by using \leftarrow / \rightarrow (up / down).

To improve reception :

FM : extend the coil antenna fully at the back of the set for optimum reception.

AM : uses a built-in antenna. Direct the antenna by adjusting the position of your set.

4. Adjust the sound using the **+/- VOLUME**.
5. To switch off the radio, press the **TIME/ALARM** (CD/RADIO OFF) button.

SLEEP TIMER

TUNING TO A STATION (see figure 6)**Manual tuning:**

1. Press \leftarrow / \rightarrow briefly to find your station. Repeat until you have found the desired station.

Automatic tuning:

- Press and hold \leftarrow / \rightarrow until the display frequency starts to change frequency.
- When a station of sufficient strength has been found, tuning will stop. Or you can stop the automatic tuning search by pressing either \leftarrow / \rightarrow again. Repeat until you have found the desired station.

PRESET STATIONS (see figure 6)**Storing preset stations**

You can program up to five radio stations for each band. If you like, you can also replace a preset station with another frequency. The current station will be indicated by a square round the preset number in the display. E.g. $\boxed{6}$

1. Tune to your desired station (see **RADIO RECEPTION**).

2. As soon as you have found your station, press and hold a preset number $\textcircled{1}$ - $\textcircled{5}$. Release the number when you hear a double beep confirming that the station has now been set.

Selecting preset stations

- Select and press a preset number, $\textcircled{1}$ - $\textcircled{5}$.

SLEEP TIMER (see figure 7)**About SLEEP TIMER**

This feature is a built-in timer device which enables the set to be automatically switched off during CD / radio playback, after a set period of time. There are three timer options: 60 , 30 and 15 minutes.

Setting SLEEP TIMER

1. Press the **SLEEP TIMER** button rapidly once or more to select your timer options: 60 , 30 and 15 minutes.

→ The display will show **SL** : and the timer options briefly.

→ **SLEEP** appears when the timer is active.

2. To cancel the timer, you can either press:

- **TIME/ALARM** (CD/RADIO OFF)
- **REPEAT ALARM/ BRIGHTNESS CONTROL**

INSTRUCTIONS FOR USE

MAINTENANCE

General (see figure 8)

- If you do not intend to use the set for a long time, withdraw the plug from the wall outlet.
- Do not expose the set, to humidity, rain, sand or excessive heat caused by heating equipment or direct sunlight.
- To clean the set, use a soft, dry cloth. Do not use any cleaning agents containing alcohol, ammonia, benzene or abrasives as these may harm the product's surface.

CD player and CD handling (see figure 9)

- The lens of the CD player should never be touched!
- Sudden changes in the surrounding temperature can cause condensation to form and the lens of your CD player to cloud over. Playing a CD is then not possible. Do not attempt to clean the lens but leave the set in a warm environment until the moisture evaporates.
- Always shut the CD door to keep the CD compartment dust-free. To clean, dust the compartment with a soft dry cloth.
- To clean the CD, wipe in a straight line from the center towards the edge using a soft, lint-free cloth. Do not use cleaning agents as they may damage the disc.
- Never write on a CD or attach any stickers to it.

TROUBLESHOOTING

If a fault occurs, first check the points listed below before taking the set for repair. If you are unable to remedy a problem by following these hints, consult your dealer or service center.

WARNING:

Do not open the set as there is a risk of electric shock! Under no circumstances should you try to repair the set yourself, as this will invalidate the warranty.

No sound

- Volume not adjusted
- Adjust the VOLUME
- Headphones are connected
- Disconnect headphones

No reaction to any operation of the buttons

- Electrostatic discharge
- Disconnect the set from the power supply and reconnect the set after 5 minutes.

CD playback does not work

- CD badly scratched or dirty
- Replace/ clean CD
- Laser lens steamed up
- Wait until lens has adjusted to room temperature
- Laser lens dirty
- Clean lens by playing a CD lens cleaning disc
- CD-R(W) is non-finalized
- Use a finalized CD-R(W)

Occasional crackling sound during FM broadcast

- Weak signal
- Extend coil antenna fully

Continuous crackling/ hiss disturbance during AM broadcast

- Electrical interference from TVs, computers, fluorescent lamps, etc.
- Move set away from other electrical equipment

The alarm does not function

- Alarm mode not selected
- See chapter on SETTING THE ALARM
- Alarm time not set
- See chapter on SETTING THE ALARM.

CAUTION

Use of controls or adjustments or performance of procedures other than herein may result in hazardous radiation exposure or other unsafe operation.

Environmental information

All unnecessary packaging material has been omitted. We have done our utmost to make the packaging easily separable into 2 materials: paper pulp, polyethylene.

Your set consists of materials which can be recycled if disassembled by a specialized company. Please observe local regulations on the disposal of packing materials and old equipment.

DISASSEMBLY DIAGRAM

A. REMOVE REAR CABINET ASSEMBLY

- REMOVE SPEAKER FRAME(RIGHT AND LEFT)
- REMOVE SCREWS (3X12) 9 PCS(6 PCS BACK,3PCS BOTTOM)
- REMOVE REAR CABINET ASSEMBLY



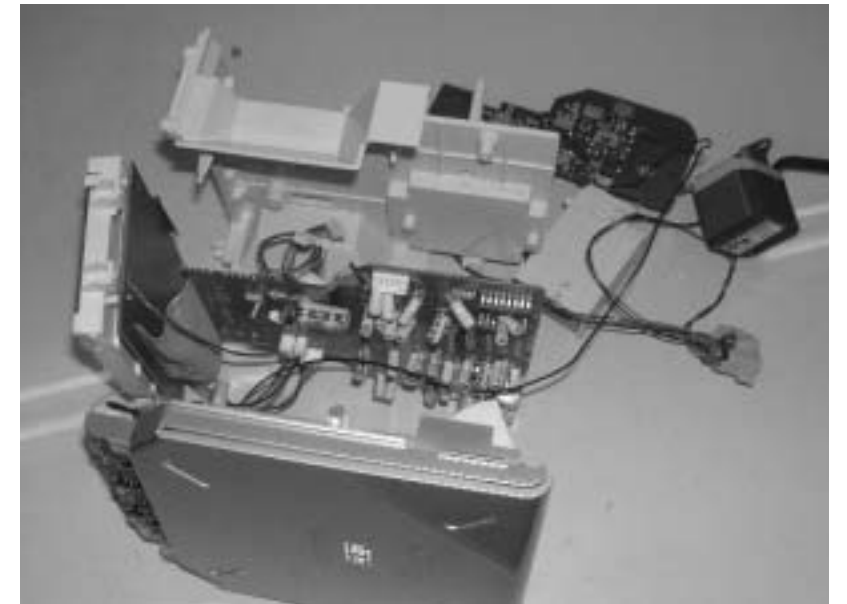
B. REMOVE FRONT CABINET ASSEMBLY

- REMOVE SCREWS (3X4) 8PCS
- REMOVE SPEAKER SEA
- REMOVE SCREWS (2X4) 3PCS
- REMOVE EARPHONE JACK COVER
- REMOVE SCREWS (3X12) 2PCS
- REMOVE FRONT CABINET

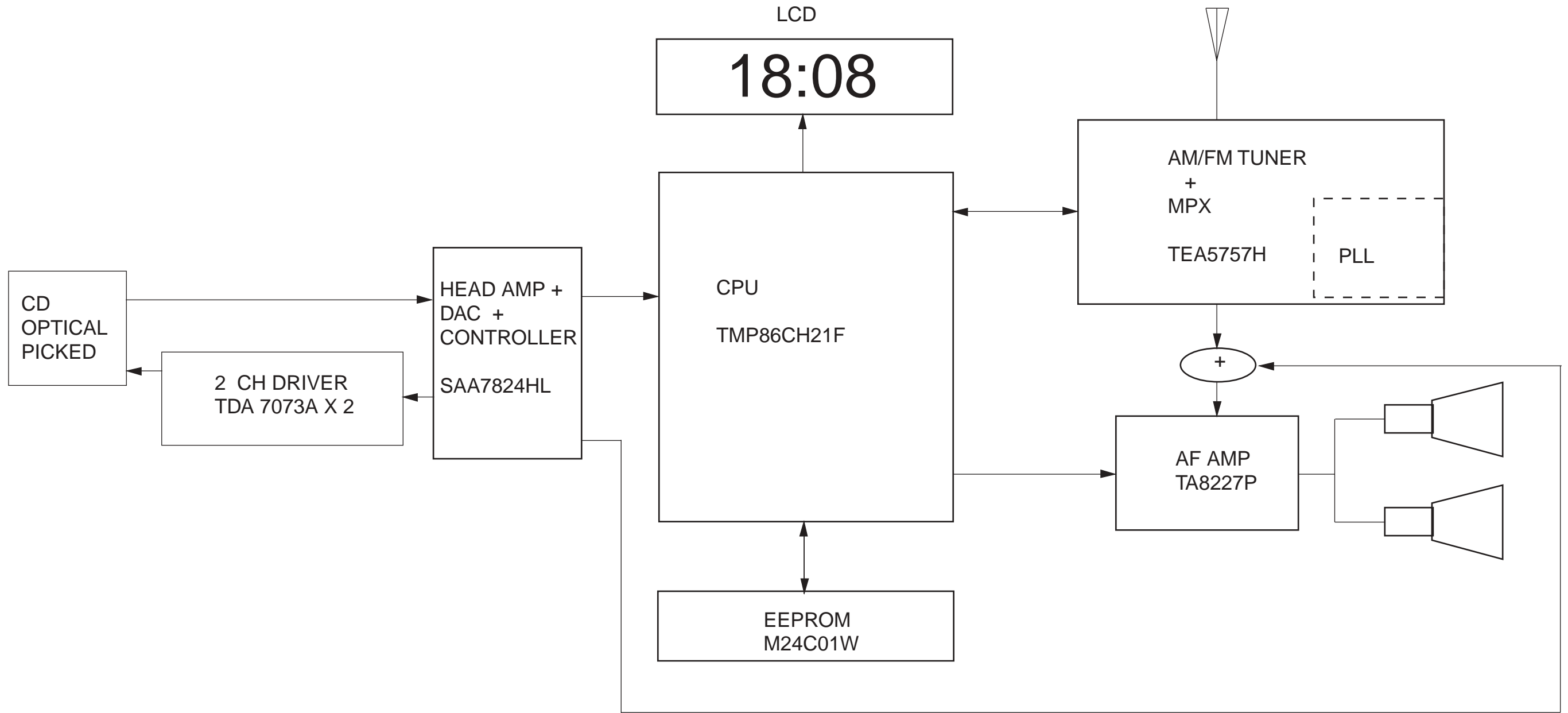


C. REMOVE DECK MECHANISM

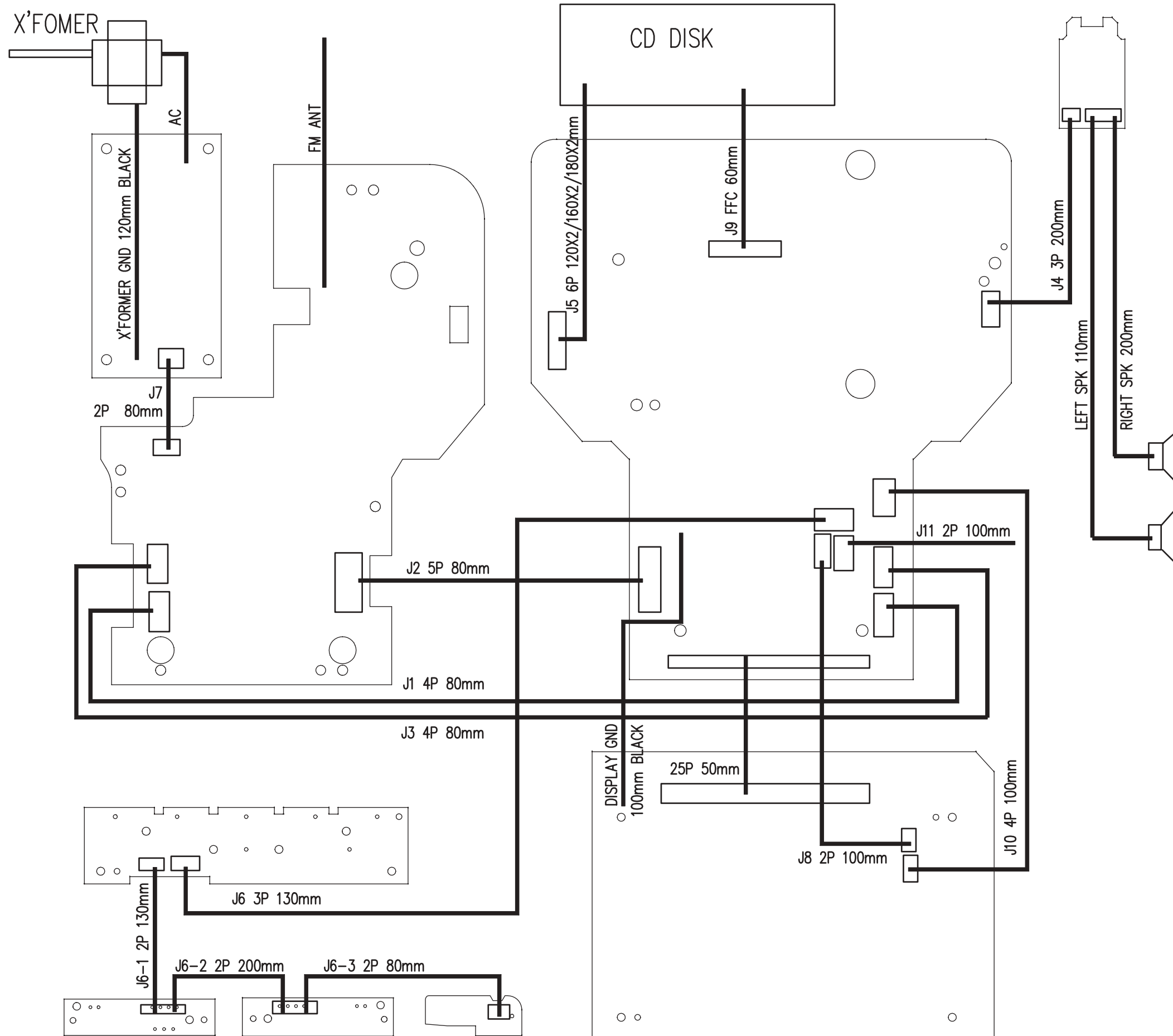
- REMOVE SCREWS (3X8) 5PCS
- REMOVE TUNER BOARD
- REMOVE SCREWS (3X10 Bighead) 2PCS AND SCREWS (3X8) 2PCS
- REMOVE TRANSFORMER AND POWER PCB BOARD
- REMOVE SCREWS (3X18) 1PC AND (3X12) 3PCS
- REMOVE CD CLOCK MAIN BRACKET
- REMOVE SCREWS (3X8) 1PC
- REMOVE CD PCB BOARD
- REMOVE SCREWS
- REMOVE DECK MECHANISM



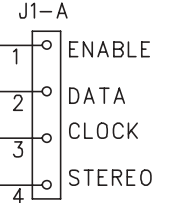
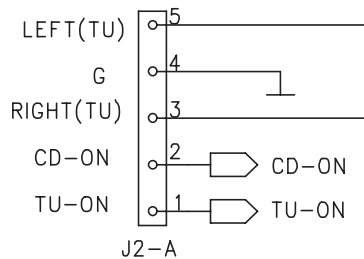
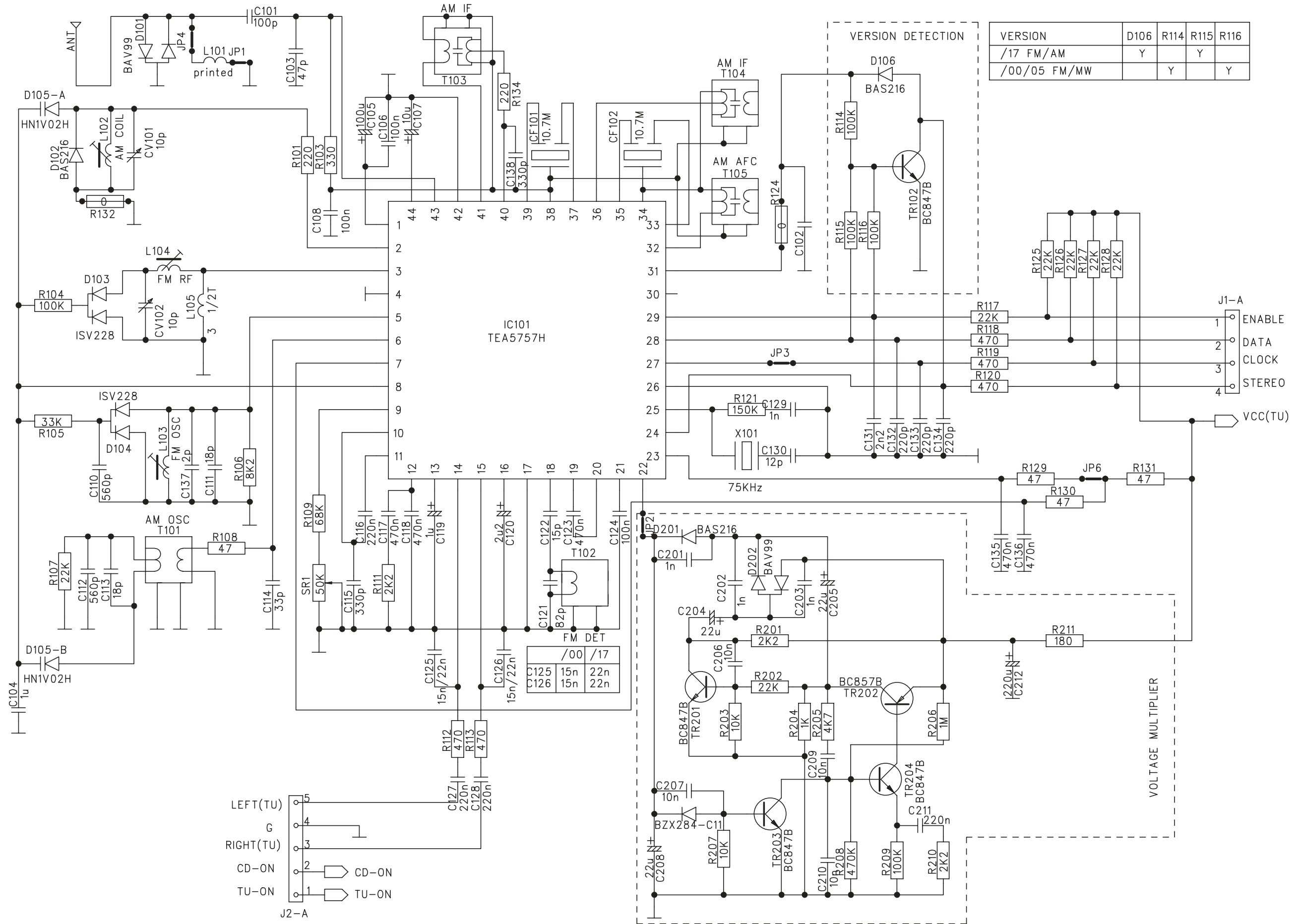
BLOCK DIAGRAM



WIRING DIAGRAM

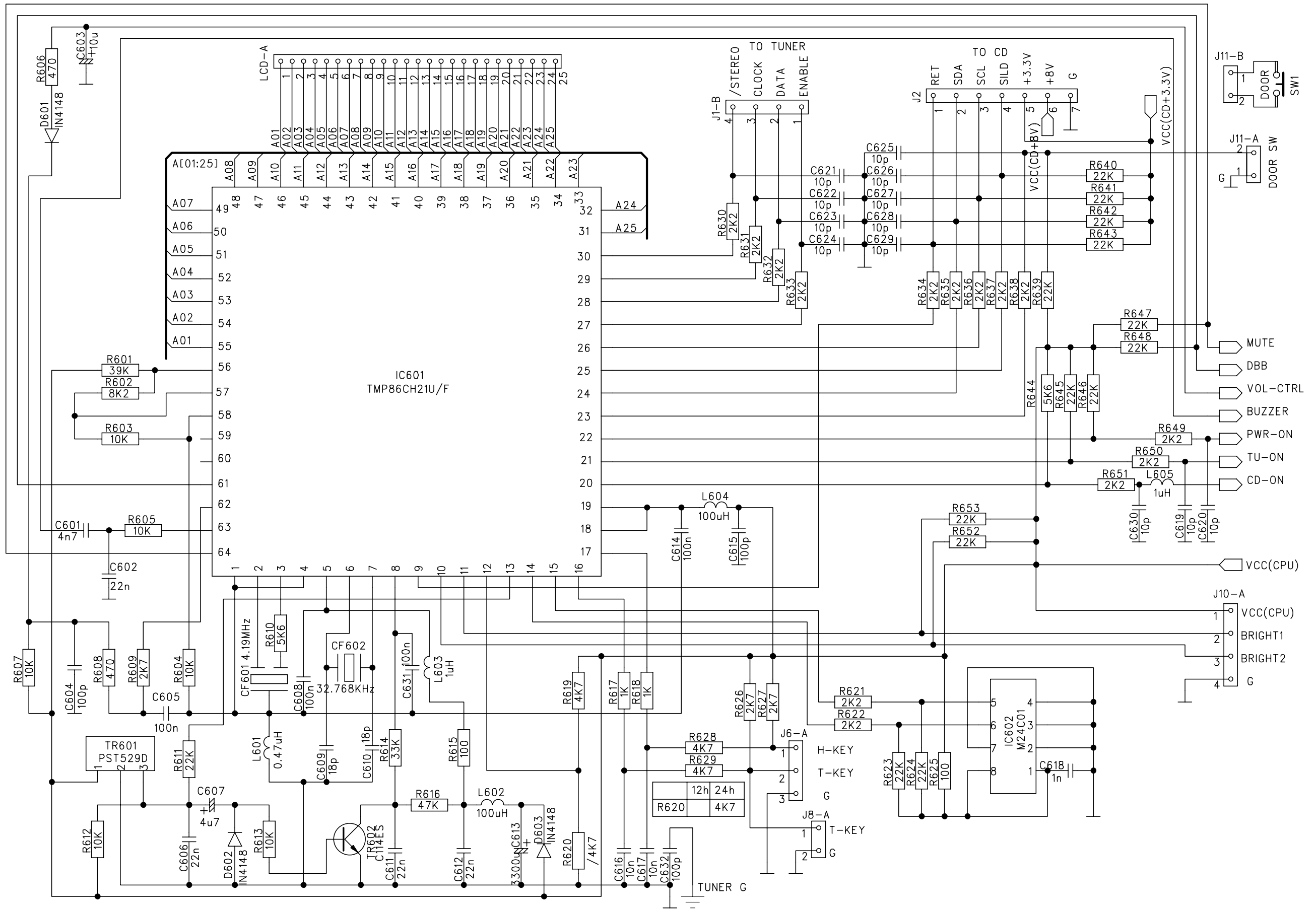


CIRCUIT DIAGRAM - TUNER BOARD

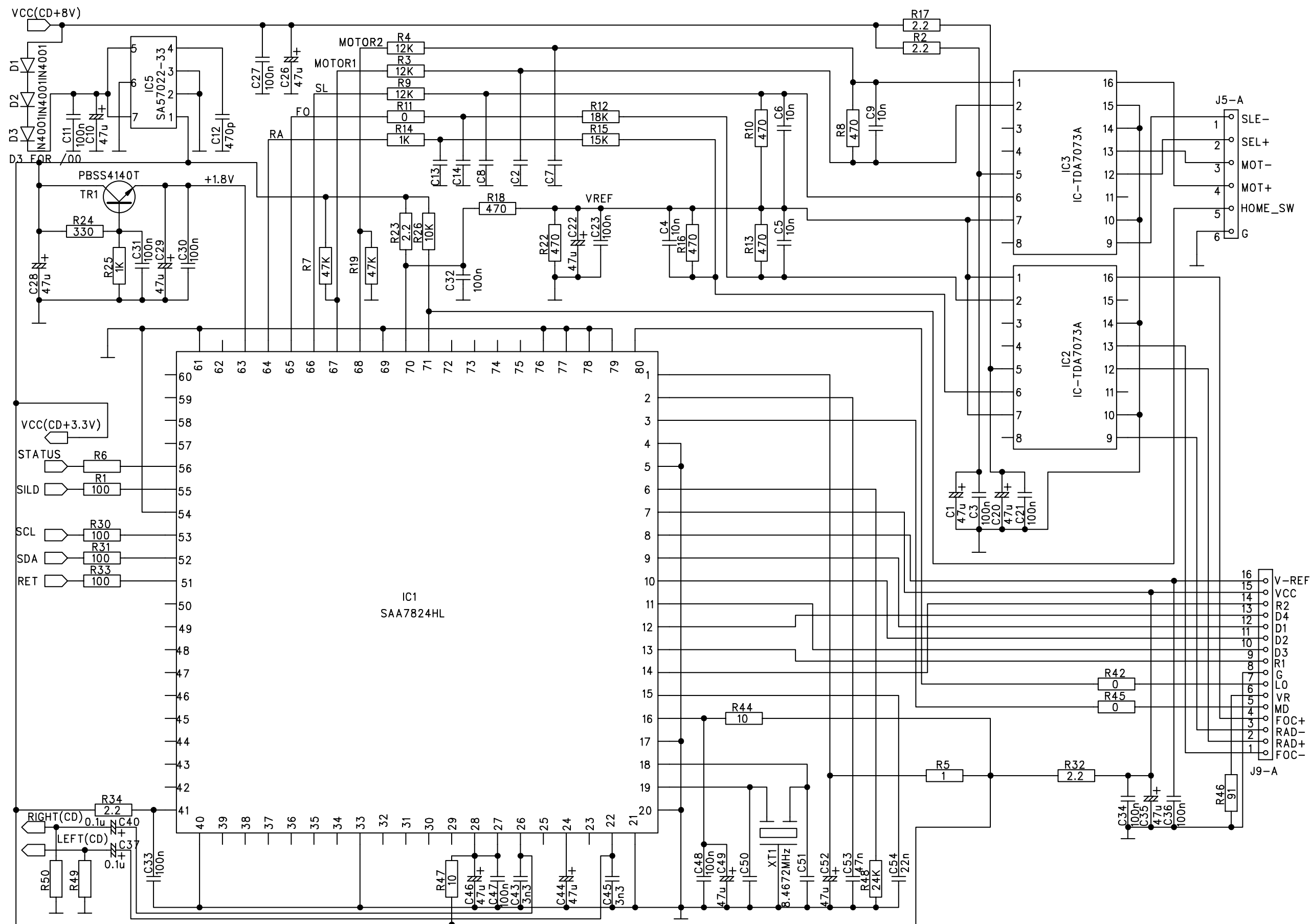


VOLTAGE MULTIPLIER

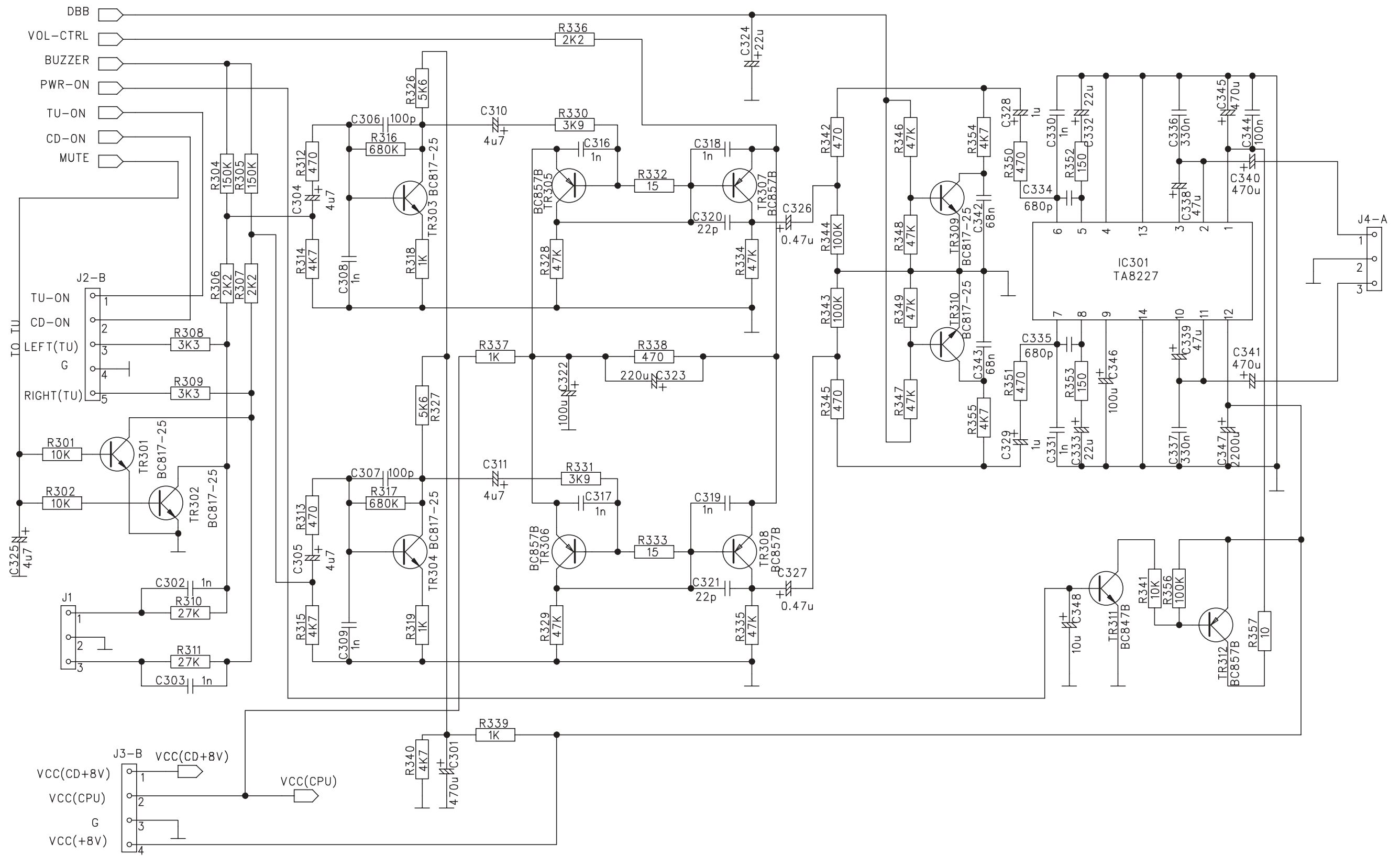
CIRCUIT DIAGRAM - MAIN BOARD (CPU PART)



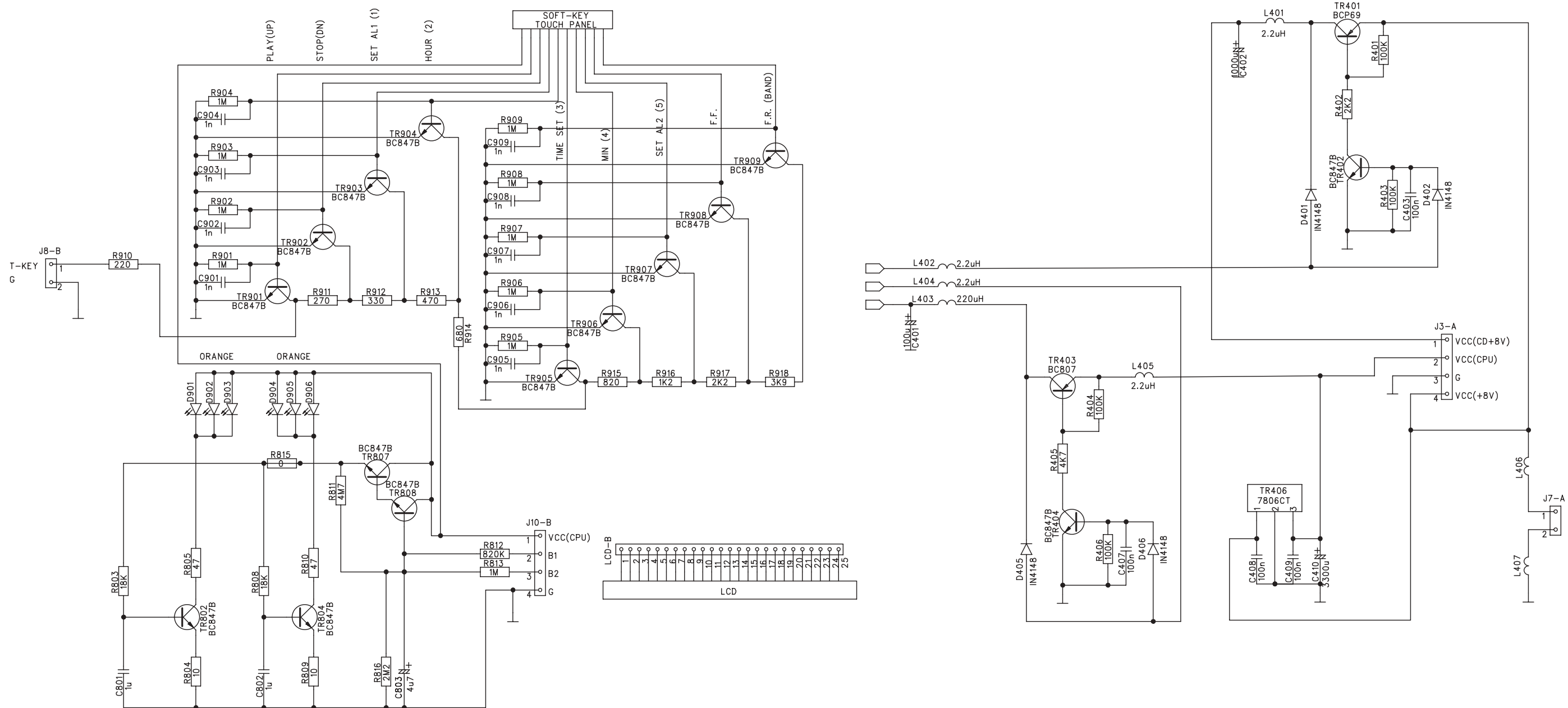
CIRCUIT DIAGRAM - MAIN BOARD (CD PART)



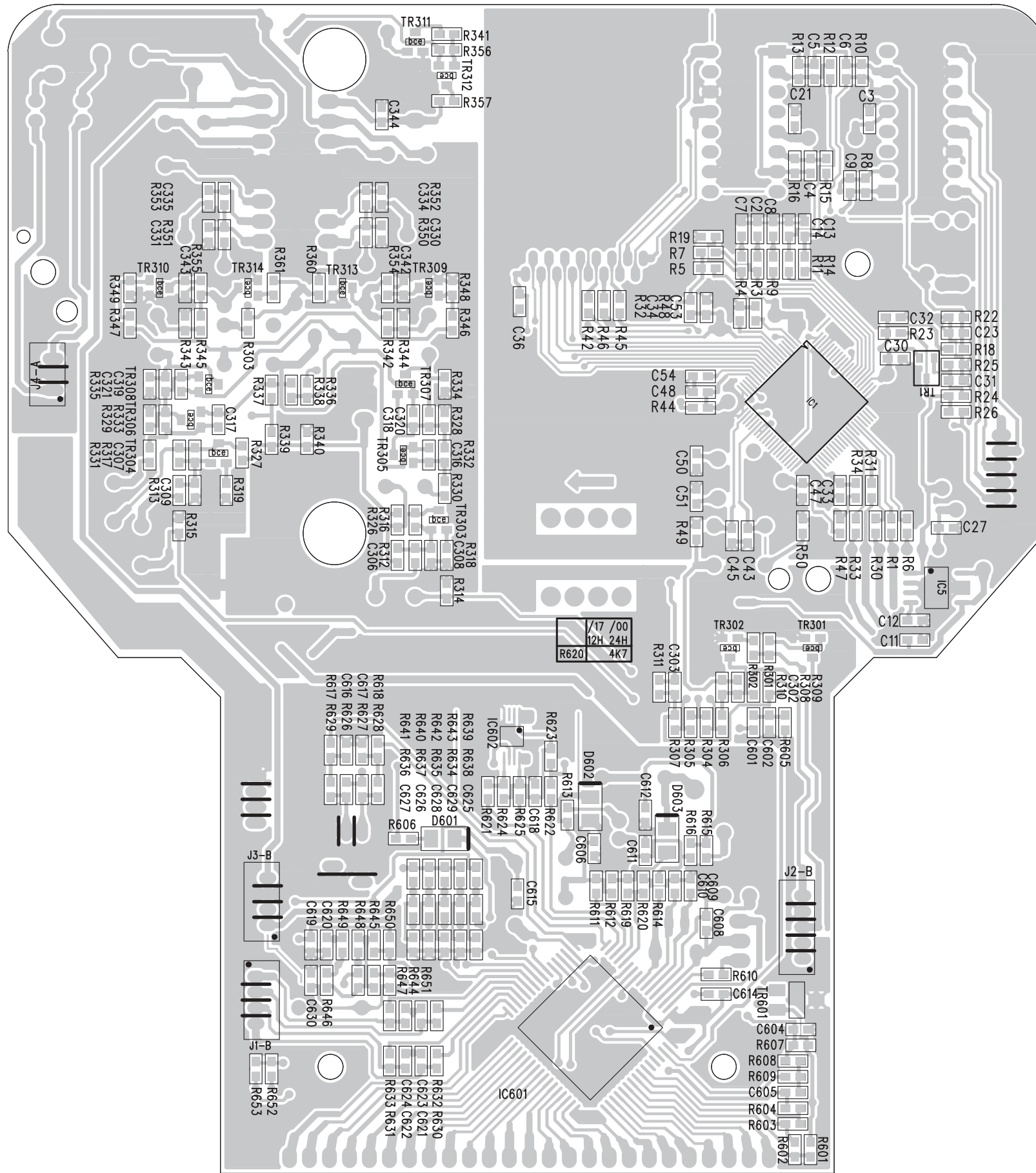
CIRCUIT DIAGRAM - MAIN BOARD (VOL-POWER PART)



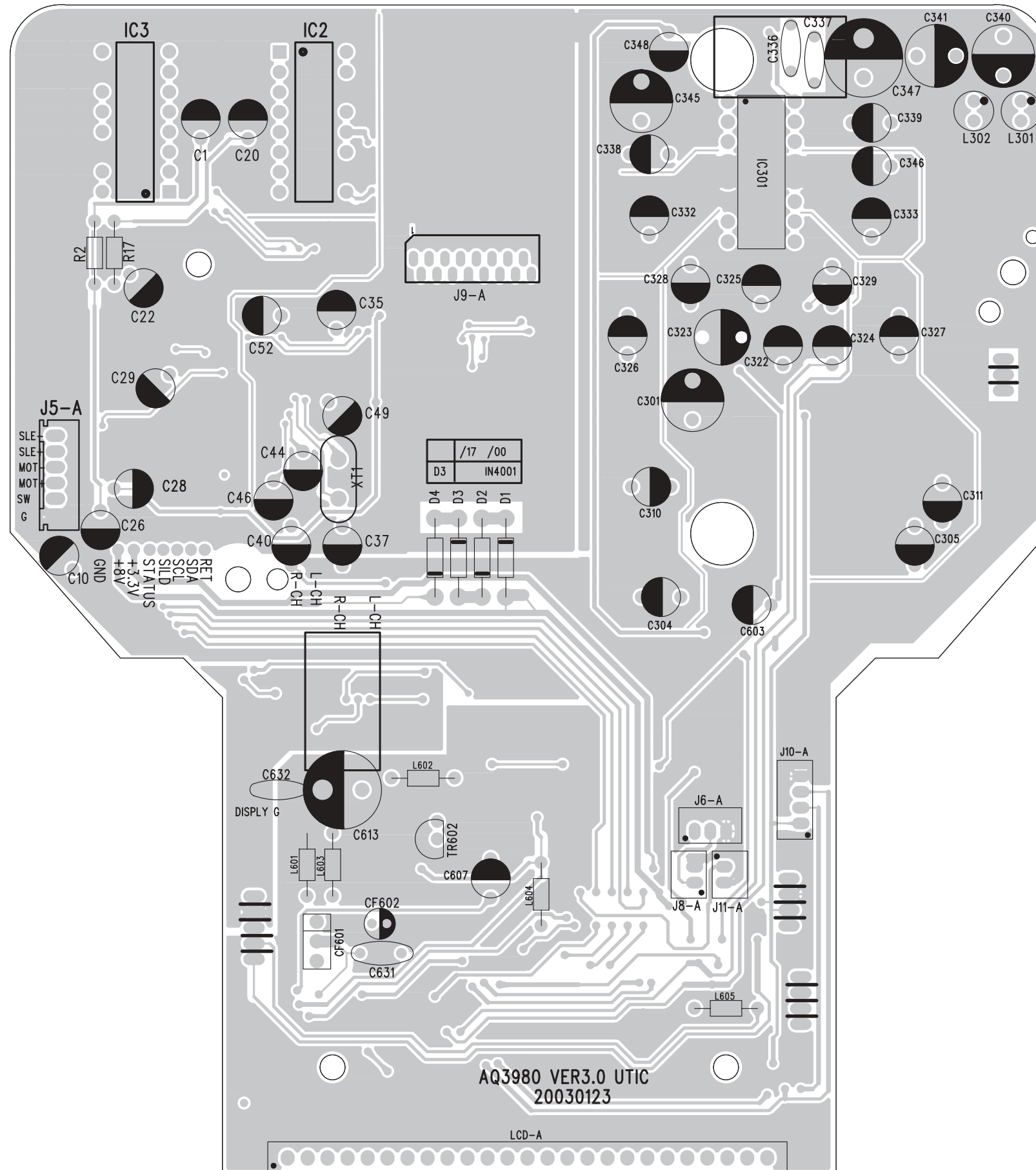
CIRCUIT DIAGRAM - MAIN BOARD (LCD/DC-POWER PART)



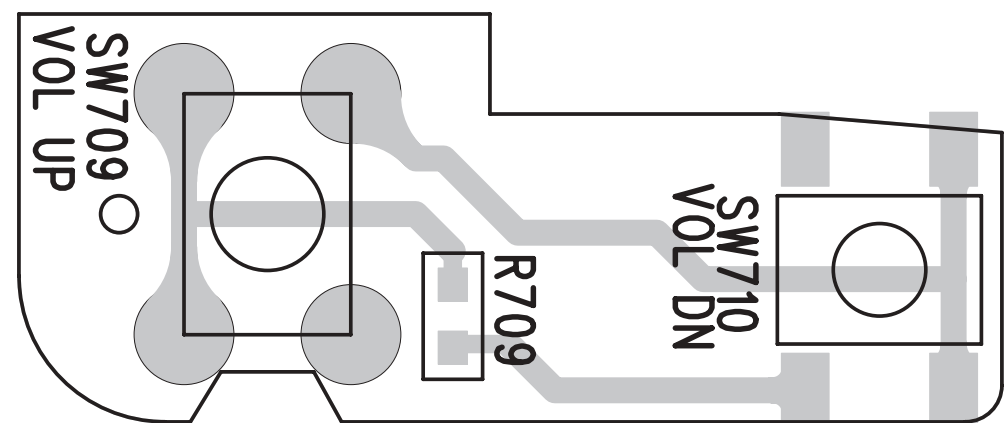
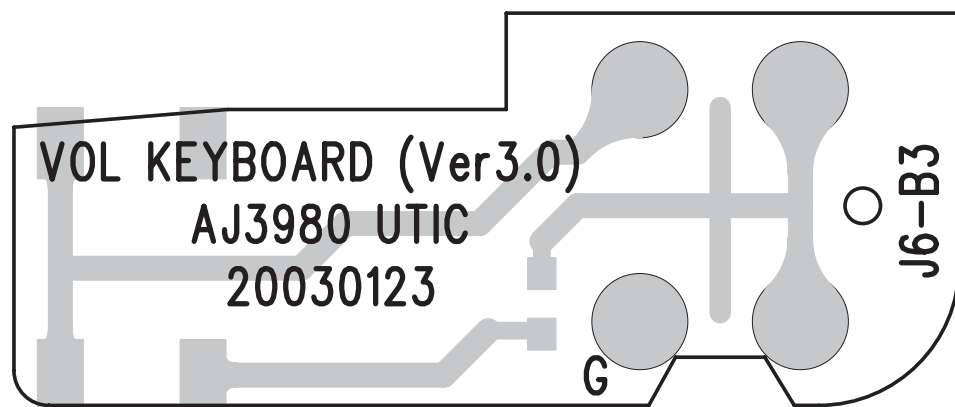
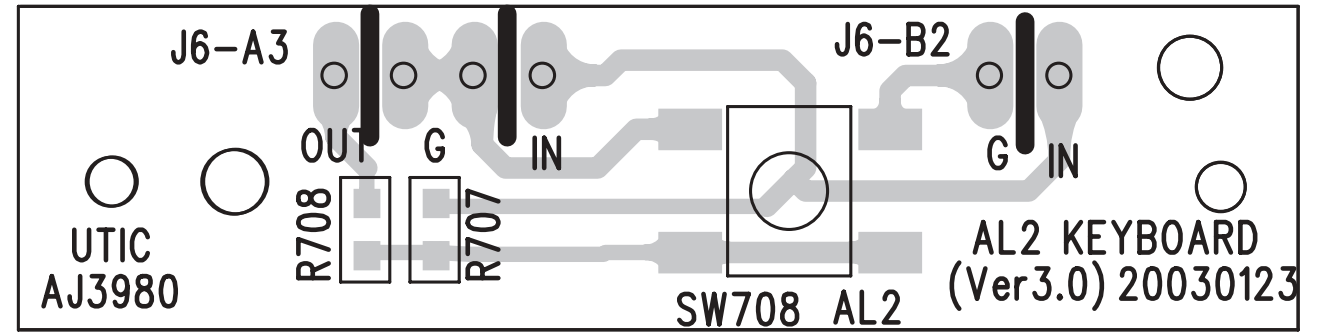
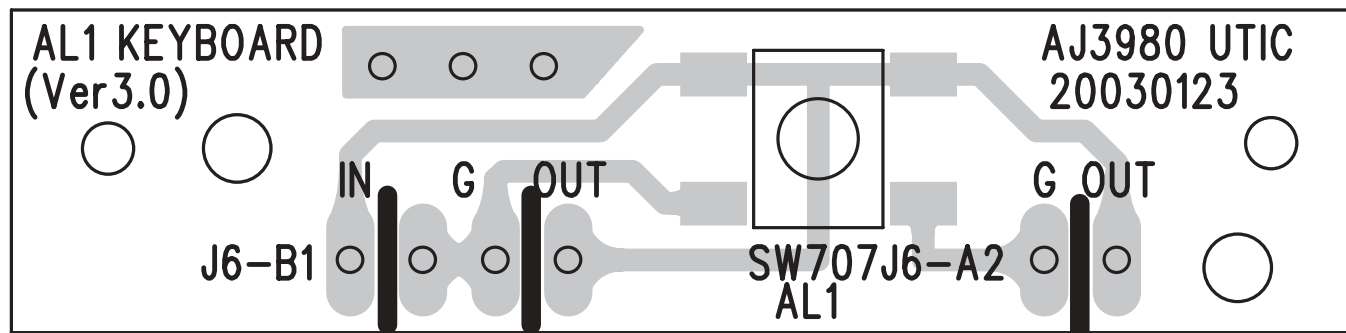
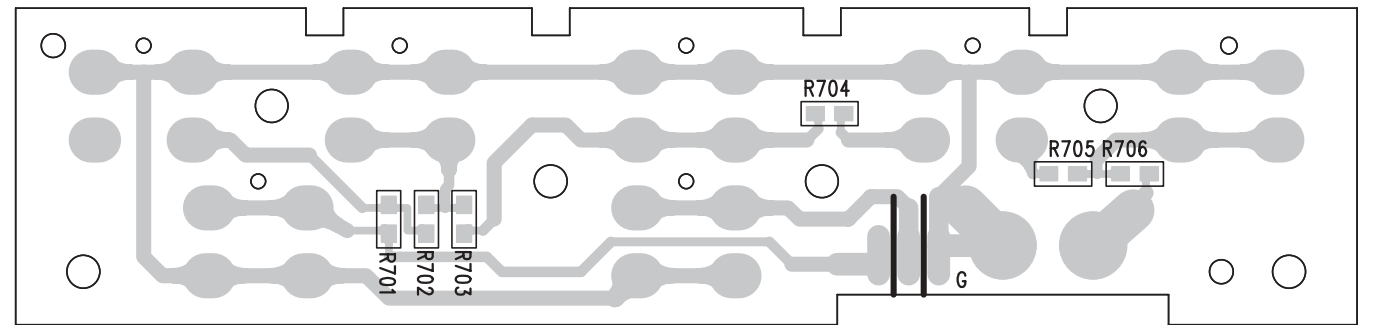
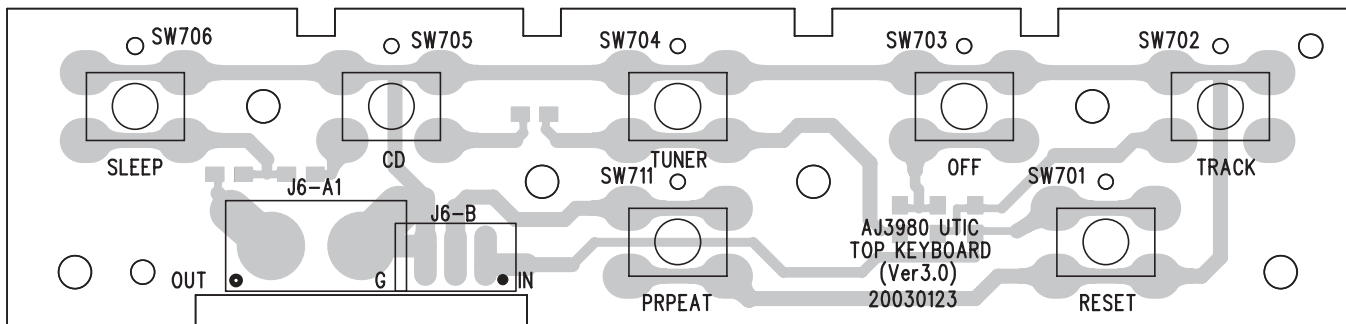
LAYOUT DIAGRAM - MAIN BOARD
(COPPER SIDE VIEW)



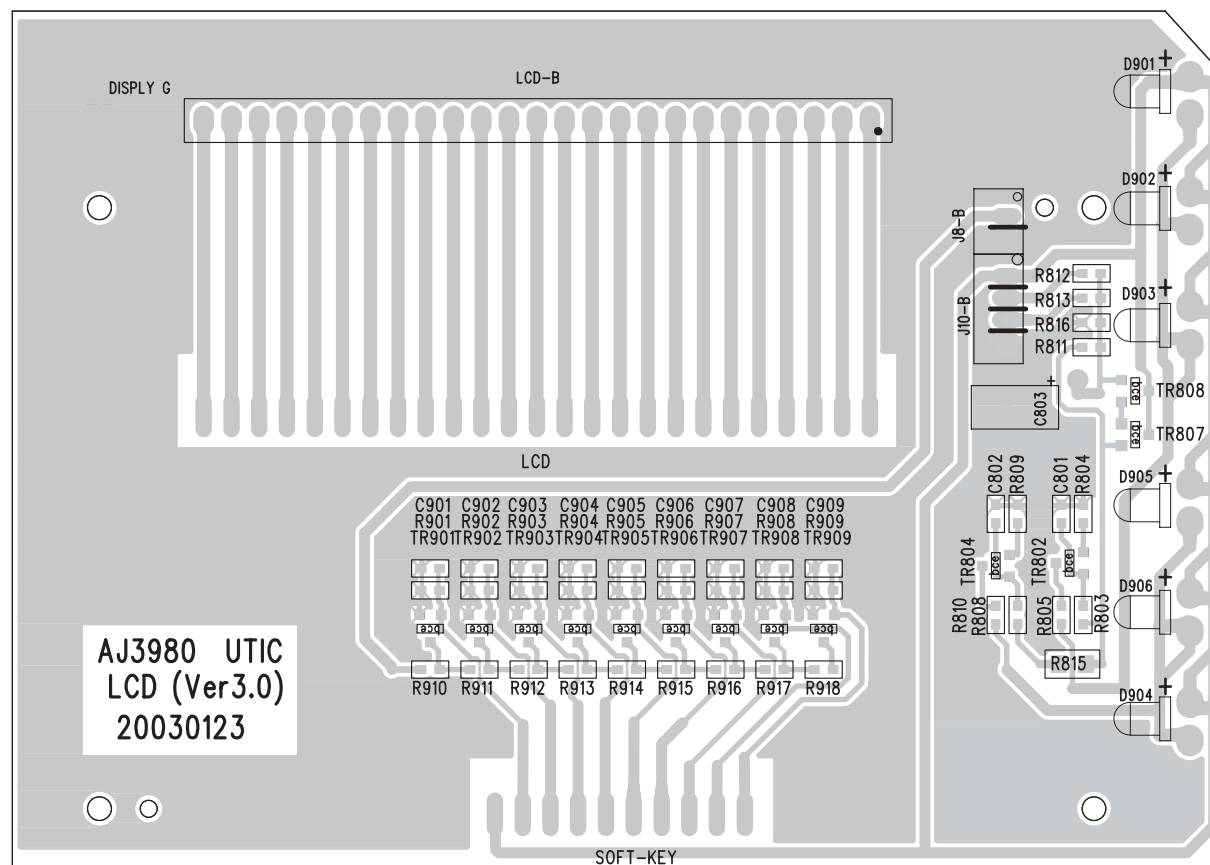
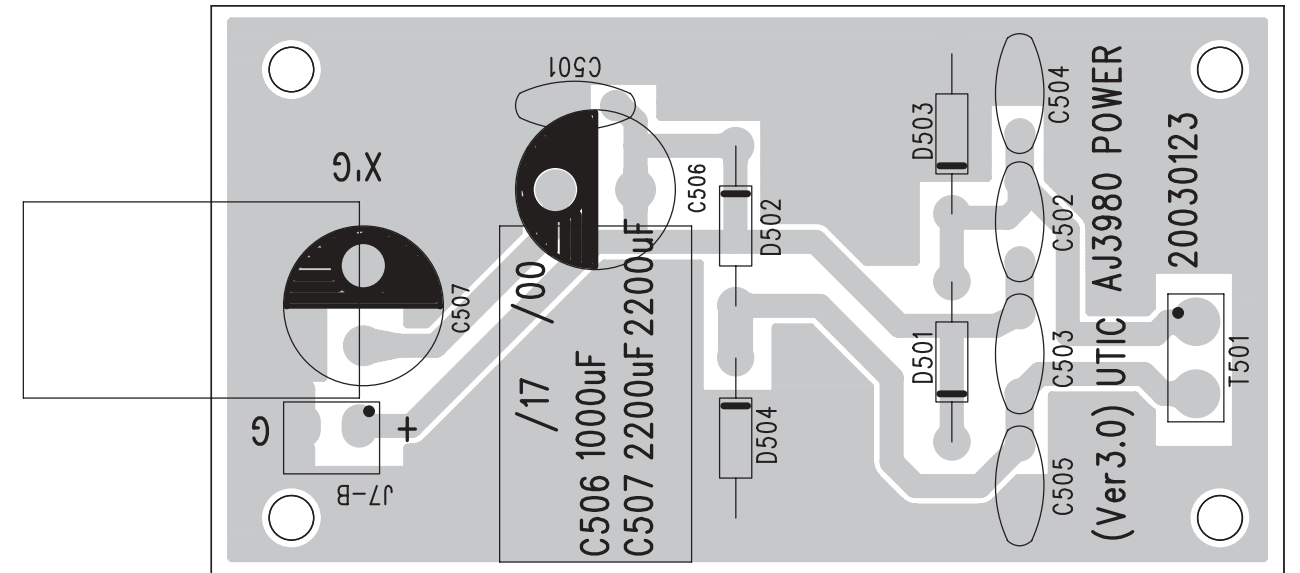
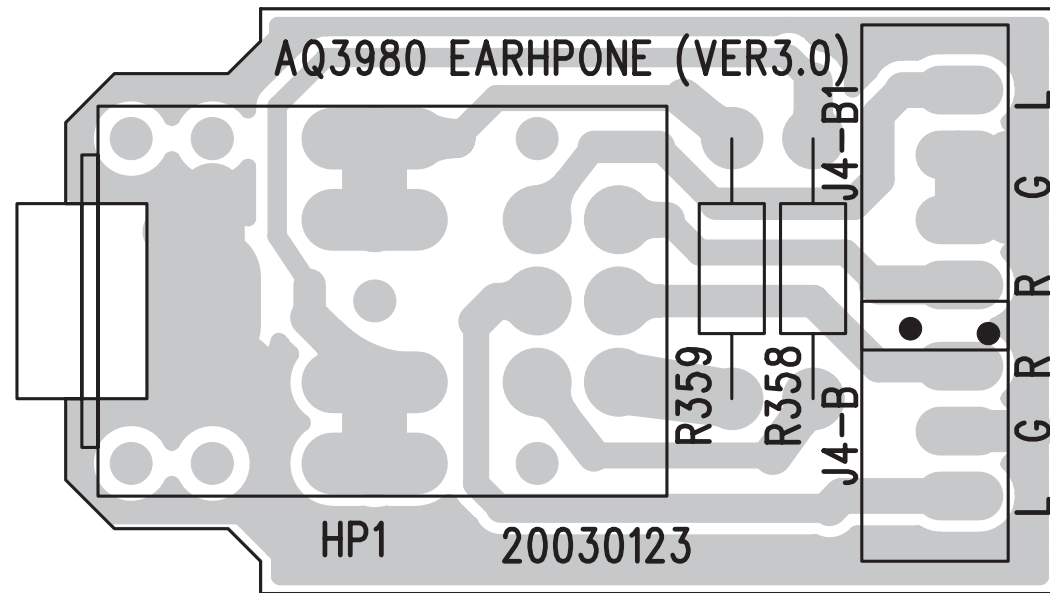
LAYOUT DIAGRAM - MAIN BOARD
(COMPONENT SIDE VIEW)



LAYOUT DIAGARM - SOME SMALL BOARD



LAYOUT DIAGRAM - SOME SMALL BOARD



EXPLODED VIEW DIAGRAM

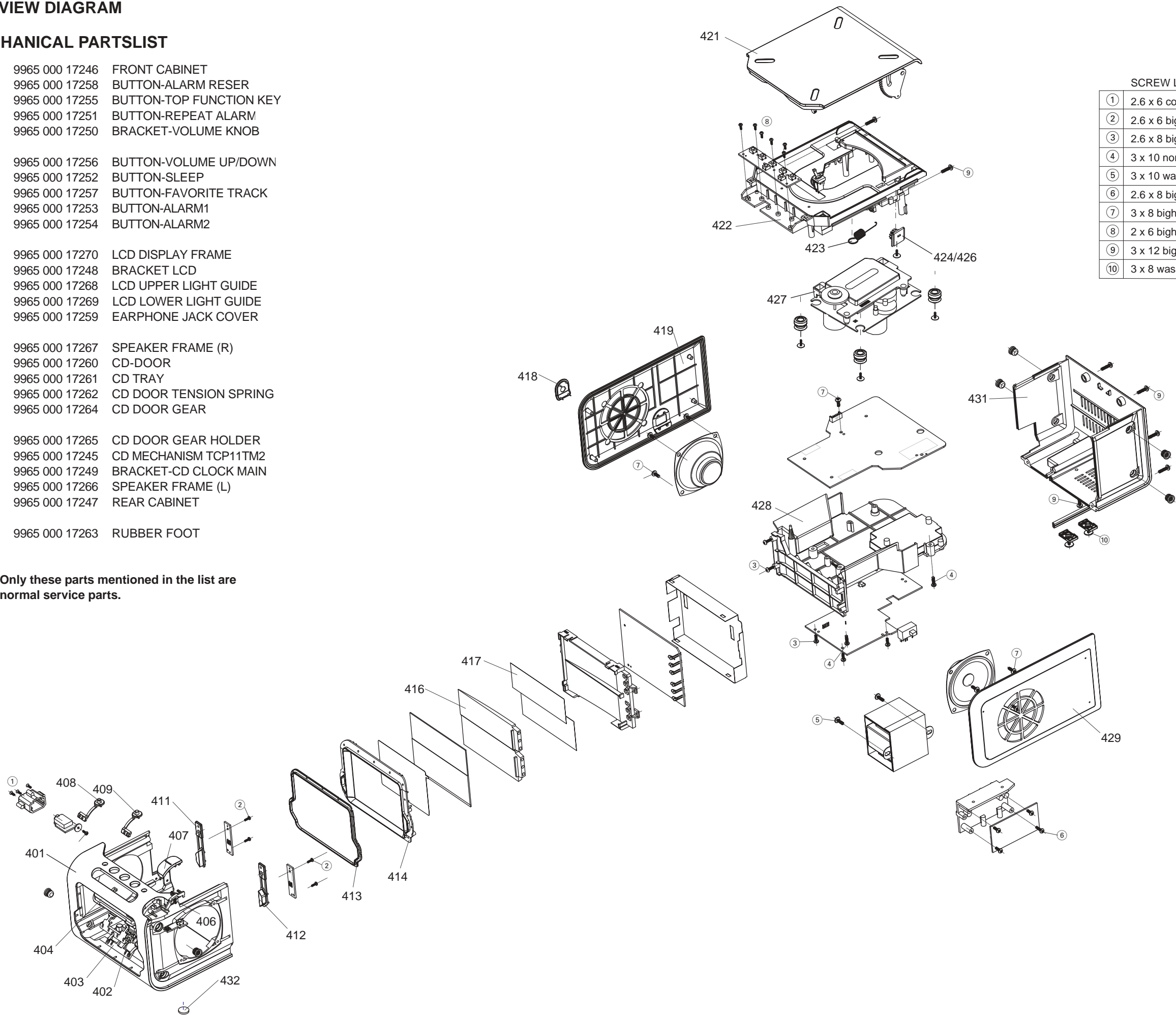
MECHANICAL PARTSLIST

401	9965 000 17246	FRONT CABINET
402	9965 000 17258	BUTTON-ALARM RESER
403	9965 000 17255	BUTTON-TOP FUNCTION KEY
404	9965 000 17251	BUTTON-REPEAT ALARM
406	9965 000 17250	BRACKET-VOLUME KNOB
407	9965 000 17256	BUTTON-VOLUME UP/DOWN
408	9965 000 17252	BUTTON-SLEEP
409	9965 000 17257	BUTTON-FAVORITE TRACK
411	9965 000 17253	BUTTON-ALARM1
412	9965 000 17254	BUTTON-ALARM2
413	9965 000 17270	LCD DISPLAY FRAME
414	9965 000 17248	BRACKET LCD
416	9965 000 17268	LCD UPPER LIGHT GUIDE
417	9965 000 17269	LCD LOWER LIGHT GUIDE
418	9965 000 17259	EARPHONE JACK COVER
419	9965 000 17267	SPEAKER FRAME (R)
421	9965 000 17260	CD-DOOR
422	9965 000 17261	CD TRAY
423	9965 000 17262	CD DOOR TENSION SPRING
424	9965 000 17264	CD DOOR GEAR
426	9965 000 17265	CD DOOR GEAR HOLDER
427	9965 000 17245	CD MECHANISM TCP11TM2
428	9965 000 17249	BRACKET-CD CLOCK MAIN
429	9965 000 17266	SPEAKER FRAME (L)
431	9965 000 17247	REAR CABINET
432	9965 000 17263	RUBBER FOOT

Note: Only these parts mentioned in the list are normal service parts.

SCREW LIST :

①	2.6 x 6 countersink
②	2.6 x 6 bighead
③	2.6 x 8 bighead
④	3 x 10 normalhead
⑤	3 x 10 washerhead
⑥	2.6 x 8 bighead
⑦	3 x 8 bighead
⑧	2 x 6 bighead
⑨	3 x 12 bighead
⑩	3 x 8 washerhead



ELECTRICAL PARTSLIST

- MISCELLANEOUS -

	9965 000 17271	ANTENNA BAR 5X13X55
S-KEY	9965 000 17272	LCD TOUCH PANEL
LCD	9965 000 17273	LCD DISPLAY #3980 W/HEAT
	9965 000 17274	SPEAKER 2 1/21N 8 OHM 2W
SW1	9965 000 17275	CD DOOR SWITCH 1P
J9-A	9965 000 17276	SOCKET FFC16P
	9965 000 17277	FFC16P L:80MM
SW701	9965 000 17278	TACT-SWITCH
SW702	9965 000 17278	TACT-SWITCH
SW703	9965 000 17278	TACT-SWITCH
SW704	9965 000 17278	TACT-SWITCH
SW705	9965 000 17278	TACT-SWITCH
SW706	9965 000 17278	TACT-SWITCH
SW711	9965 000 17278	TACT-SWITCH
SW709	9965 000 17278	TACT-SWITCH

SW710	9965 000 17279	TACT-SWITCH
SW707	9965 000 17279	TACT-SWITCH
SW708	9965 000 17279	TACT-SWITCH
HP1	9965 000 17280	3,5MM STEREO JACK
T501	⚠ 9965 000 17302	TRANSFORMER (BS) (-/05)
T501	⚠ 9965 000 17303	TRANSFORMER (UL) (-/17)
T501	⚠ 9965 000 17281	TRANSFORMER(VDE) (-/00)

- CAPACITORS -

CV101	9965 000 17282	CTC-10P 450nF
CV102	9965 000 17282	CTC-10P 450nF

- RESISTORS -

R2	9965 000 17283	2,2OHM 1/4W
R17	9965 000 17283	2,2OHM 1/4W
	9965 000 17284	SEMI FIXED VR50K6MM 3P

- COILS & FILTERS -

CF602	9965 000 17285	CRYSTAL 32,768KHZ
XT1	9965 000 16233	RESONATOR 8,467MHZ
CF601	9965 000 16234	RESONATOR 4,19 MHZ
L601	9965 000 17286	0,47μH-K CEC-R4
L603	9965 000 17287	1μH-J CECS-1ROJ
L605	9965 000 17287	1μH-J CECS-1ROJ
L301	9965 000 17288	2,2μH-K CEC-2R2
L302	9965 000 17288	2,2μH-K CEC-2R2
L602	9965 000 17289	100μH-K CESS-10
L604	9965 000 17289	100μH-K CESS-10

X101	4822 242 81955	CFV-206
L401	9965 000 17288	2,2μH-K CEC-2R2
L402	9965 000 17288	2,2μH-K CEC-2R2
L403	4822 157 63315	220μH 10% 2,3X3,4
L404	9965 000 17288	2,2μH-K CEC-2R2

- COILS & FILTERS -

L405	9965 000 17288	2,2μH-K CEC-2R2
L105	9965 000 17290	SPRING COIL 4,5MM X 31/T
CF101	9965 000 17291	SPELA10M7HA0
CF102	9965 000 17291	SPELA10M7HA0
L103	4822 157 11843	MD7B-01F
L104	4822 157 11843	MD7B-01F
T104	4822 157 70302	F7MCS-12216N
T105	4822 157 70302	F7MCS-12216N
T103	2422 549 44023	IND VAR 7MM 7PY 450KHZ
T102	4822 157 11443	2,4μH 10,7MHZ
T101	2422 549 44108	IND VAR 7MM 7PY 796KHZ
L102	2422 536 00364	IND FXD ANT FM065 190μH 5%

- DIODES -

D1	9965 000 17292	IN4001 TAPE FORM
D2	9965 000 17292	IN4001 TAPE FORM
D3	9965 000 17292	IN4001 TAPE FORM
D501	9965 000 17292	IN4001 TAPE FORM
D502	9965 000 17292	IN4001 TAPE FORM
D503	9965 000 17292	IN4001 TAPE FORM
D504	9965 000 17292	IN4001 TAPE FORM
D601	9965 000 17293	IN4148(SMD)FDLL4148
D602	9965 000 17293	IN4148(SMD)FDLL4148
D603	9965 000 17293	IN4148(SMD)FDLL4148
D401	9965 000 17293	IN4148(SMD)FDLL4148
D402	9965 000 17293	IN4148(SMD)FDLL4148
D405	9965 000 17293	IN4148(SMD)FDLL4148
D406	9965 000 17293	IN4148(SMD)FDLL4148
D102	9340 255 30135	BAS216

D201	9340 255 30135	BAS216
D203	9340 386 90115	BZX284-C11
D101	9965 000 11218	CHIP DIODE BAV99LT1
D202	9965 000 11218	CHIP DIODE BAV99LT1
D103	9965 000 16914	DIODE : ISV228

D104	9965 000 16914	DIODE : ISV228
D105	4822 130 83075	HN1V02H-B
D901	9965 000 17294	LED ORANGE
D902	9965 000 17294	LED ORANGE
D903	9965 000 17294	LED ORANGE
D904	9965 000 17294	LED ORANGE
D905	9965 000 17294	LED ORANGE
D906	9965 000 17294	LED ORANGE

- IC & TRANSISTORS -

IC 301	4822 209 31544	TA8227P
TR602	4822 130 62782	DTC114ESTP
IC2	9965 000 07259	IC TDA7073/N4
IC3	9965 000 07259	IC TDA7073/N4
TR406		IC MC7806CT

ELECTRICAL PARTSLIST

- IC & TRANSISTORS -

IC602	9322 143 49668	M24C01-RDW6
IC5	9965 000 17296	IC SA57022-33D
IC1	9965 000 17297	IC SAA7824HL/M0D
IC601	9965 000 17298	IC OTP TMP86PM29AF
TR601	9965 000 17299	IC PST529DMT
TR1	9965 000 16236	TRANS PBSS4140T
TR301	4822 130 42804	BC817-25
TR302	4822 130 42804	BC817-25
TR303	4822 130 42804	BC817-25
TR304	4822 130 42804	BC817-25
TR309	4822 130 42804	BC817-25
TR310	4822 130 42804	BC817-25
TR311	5322 130 42755	BC847C
TR305	5322 130 60508	BC857B
TR306	5322 130 60508	BC857B
TR307	5322 130 60508	BC857B
TR308	5322 130 60508	BC857B
TR312	5322 130 60508	BC857B
IC101	9351 740 80557	IC SM TEA5757HV/1
TR403	5322 130 60845	BC807-25
TR102	5322 130 42755	BC847C
TR201	5322 130 42755	BC847C
TR203	5322 130 42755	BC847C
TR204	5322 130 42755	BC847C
TR402	5322 130 42755	BC847C
TR404	5322 130 42755	BC847C
TR202	5322 130 60508	BC857B
TR401	9965 000 17300	TRANSISTOR BCP69
TR802	5322 130 42755	BC847C
TR804	5322 130 42755	BC847C
TR807	5322 130 42755	BC847C
TR808	5322 130 42755	BC847C
TR901	5322 130 42755	BC847C
TR902	5322 130 42755	BC847C
TR903	5322 130 42755	BC847C
TR904	5322 130 42755	BC847C
TR905	5322 130 42755	BC847C
TR906	5322 130 42755	BC847C
TR907	5322 130 42755	BC847C
TR908	5322 130 42755	BC847C
TR909	5322 130 42755	BC847C

Note: Only these parts mentioned in the list are normal service parts,